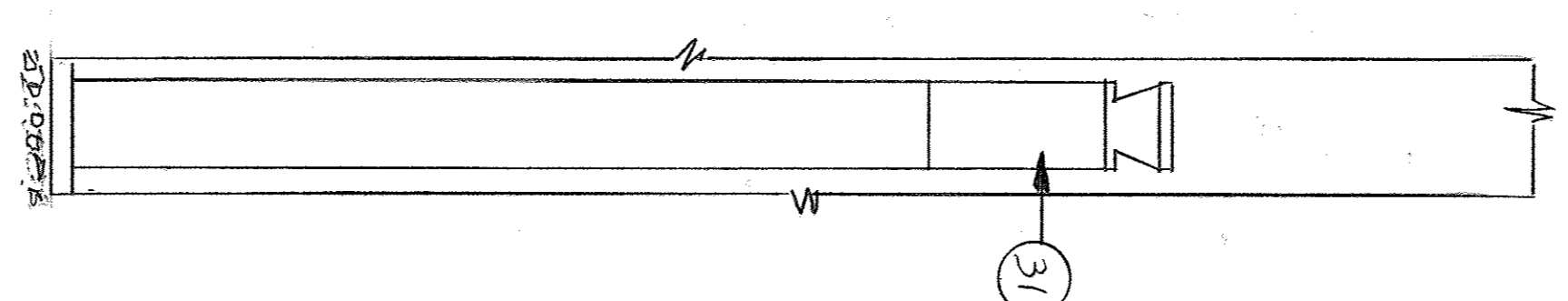
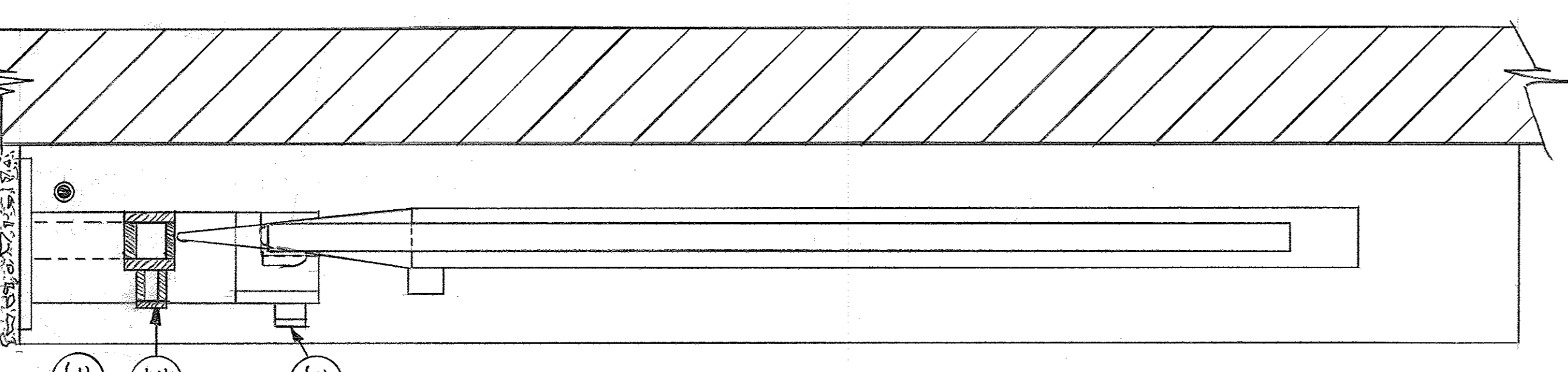


NO.	DESCRIPTION	PART NO.
43	RESERVOIR WIND TRUNK #2	MANUAL CH
42	RESERVOIR WIND TRUNK #1	MANUAL CH
41	RESERVOIR WIND TRUNK #1	MANUAL CH
40	RESERVOIR WIND TRUNK #1	MANUAL CH
39	SWELL SHUTTER FRONT	MANUAL CH
38	TREB. TROMBA	12 NOTE KA-309-C
37	TREB. TROMBA	10 NOTE KA-259-C
36	TREB. CLAUUSA	8 NOTE KA-260-C
35	TREB. CLAUUSA	7 NOTE KA-261-C
34	HORN DIAPASON	12 NOTE KA-78-C
33	SALICIONAL CELESTE	12 NOTE KA-78-C
32	SALICIONAL	12 NOTE KA-309-C
31	TREB. TROMBA	7 NOTE KA-64-C
30	TROMBA	83 NOTE SPECIAL
29	TROMBA	37 NOTE KA-569-B
28	TRAP TRUNK ASSEM.	25 NOTE KA-281-B
27	TRAP TRUNK ASSEM.	25 NOTE KA-16-BL
26	TRAP TRUNK ASSEM.	SPECIAL
25	TRAP TRUNK ASSEM.	SPECIAL
24	TRAP TRUNK ASSEM.	SPECIAL
23	TRAP TRUNK ASSEM.	SPECIAL
22	TRAP TRUNK ASSEM.	SPECIAL
21	SUBJ. MACHINE	KA-50
20	SUBJ. MACHINE	KA-50
19	TREBUANT #1	(S&C) KA-1-R
18	TREBUANT #1	(S&C) KA-1-R
17	TREBUANT #1	(S&C) KA-1-R
16	TREBUANT #1	(S&C) KA-1-R
15	TREBUANT #1	(S&C) KA-1-R
14	TREBUANT #1	(S&C) KA-1-R
13	TREBUANT #1	(S&C) KA-1-R
12	RESERVOIR 20 X 30 - 10" WIND	(S&C) KA-18-R
11	RESERVOIR 20 X 30 - 10" WIND	(S&C) KA-18-R
10	RESERVOIR 20 X 30 - 10" WIND	(S&C) KA-18-R
9	RESERVOIR 20 X 30 - 10" WIND	(S&C) KA-18-R
8	RESERVOIR 20 X 30 - 10" WIND	(S&C) KA-18-R
7	RESERVOIR 20 X 30 - 10" WIND	(S&C) KA-18-R
6	RESERVOIR 20 X 30 - 10" WIND	(S&C) KA-18-R
5	RESERVOIR 20 X 30 - 10" WIND	(S&C) KA-18-R
4	RESERVOIR 20 X 30 - 10" WIND	(S&C) KA-18-R
3	MANUAL CHEST #2	KA-27-R
2	MANUAL CHEST #1	KA-27-R
1	ROUND FRAME	KA-27-R

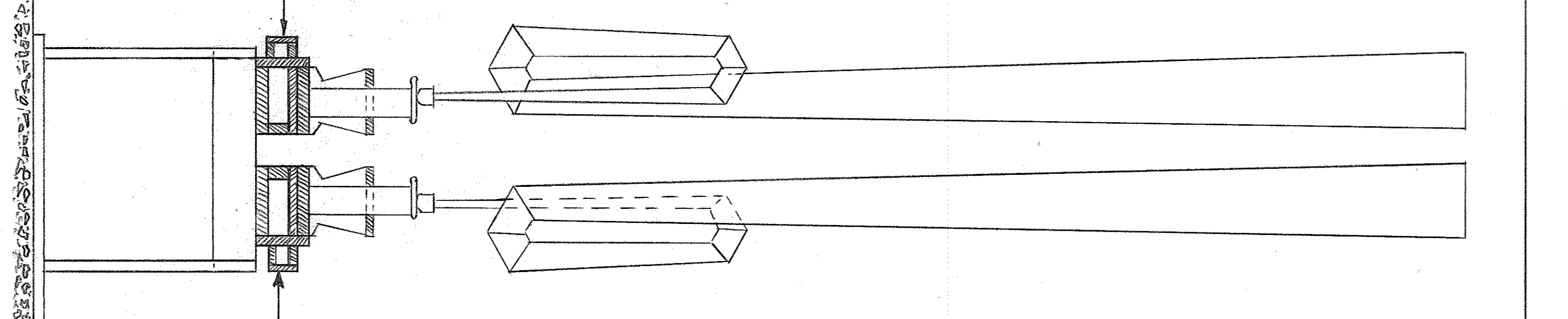
SECTION E-E



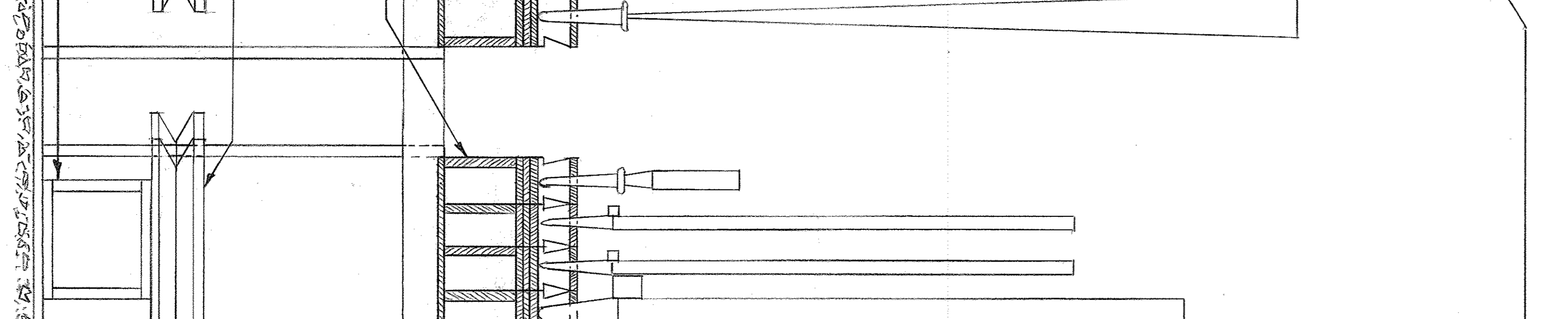
SECTION D-D



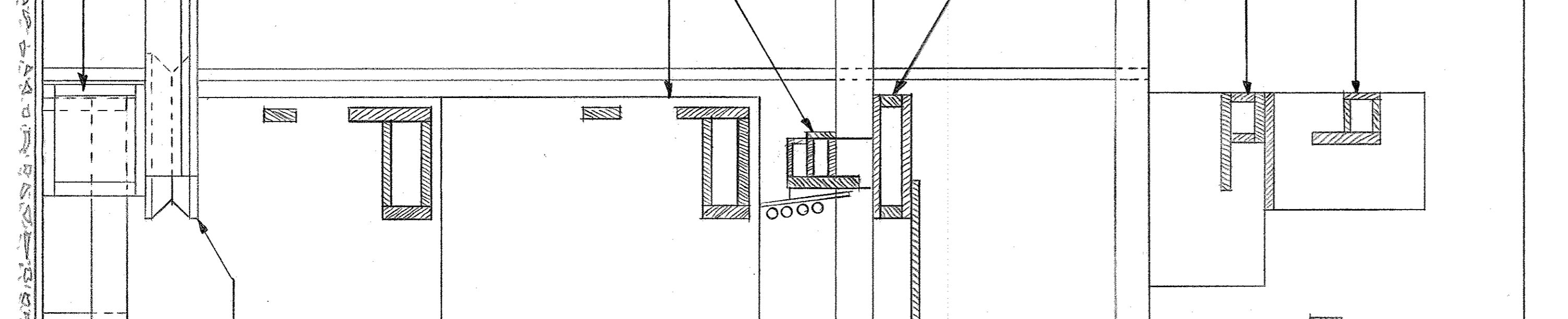
SECTION C-C



SECTION B-B



SECTION A-A



Ceiling Height 14'-11"

