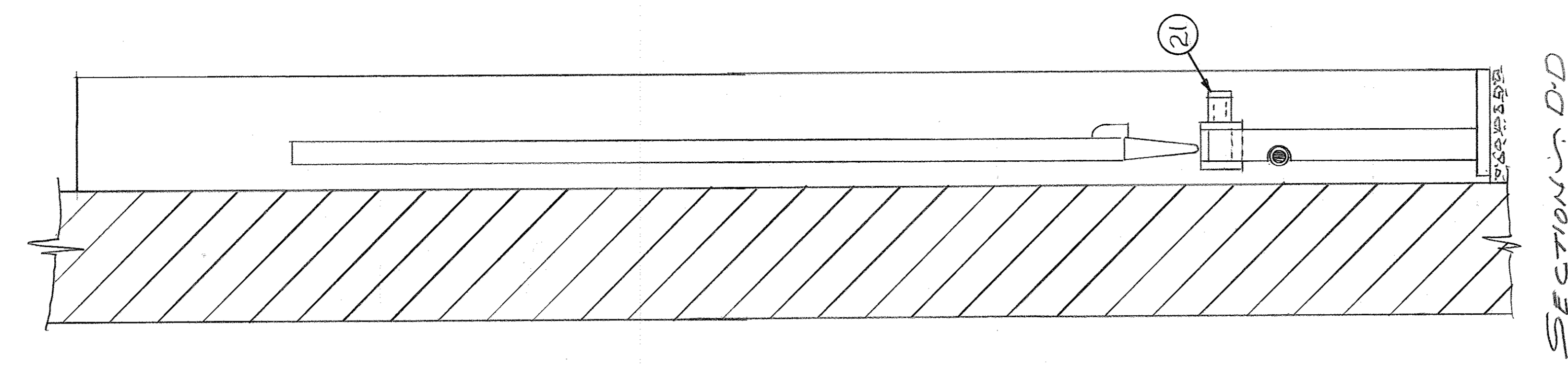
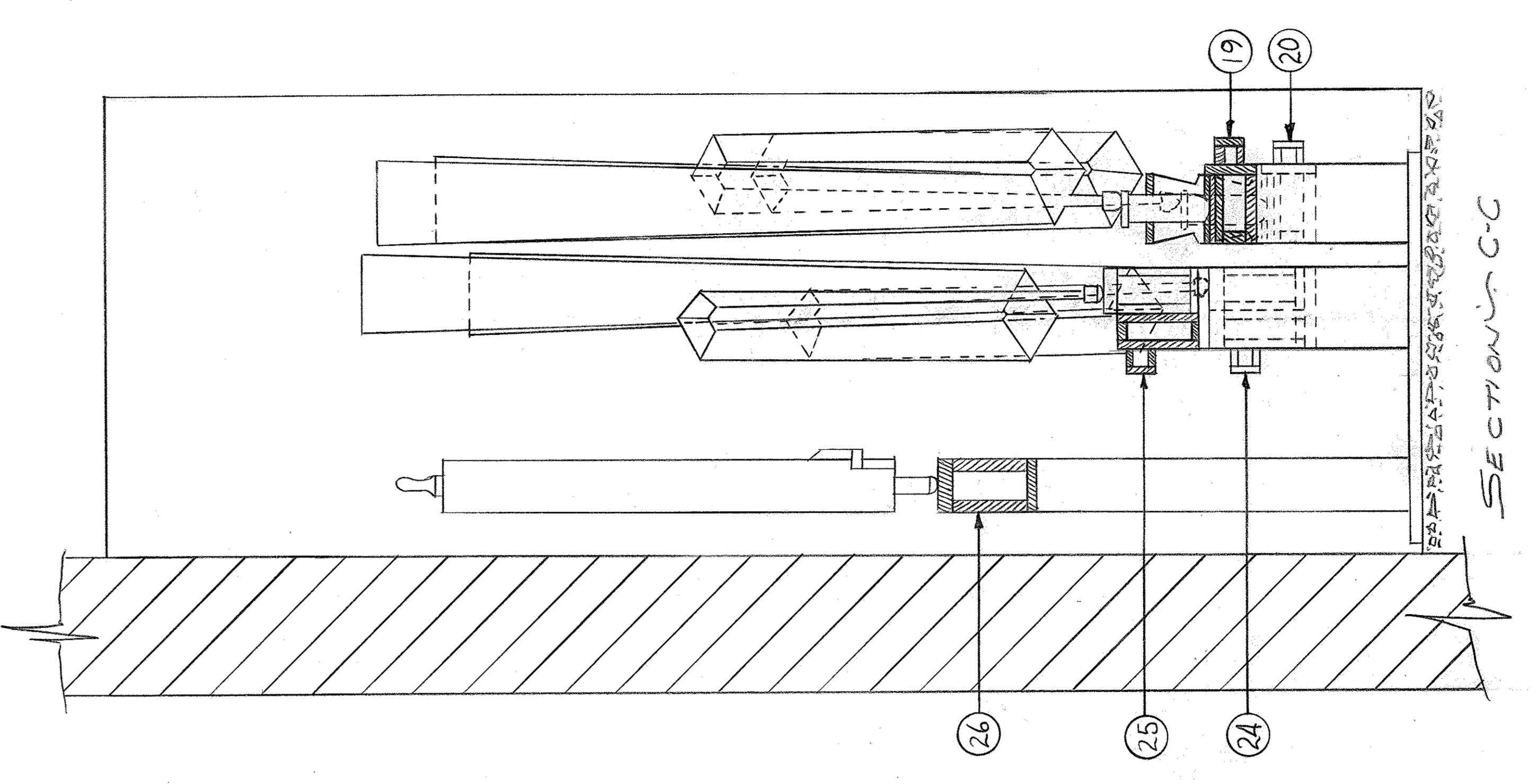
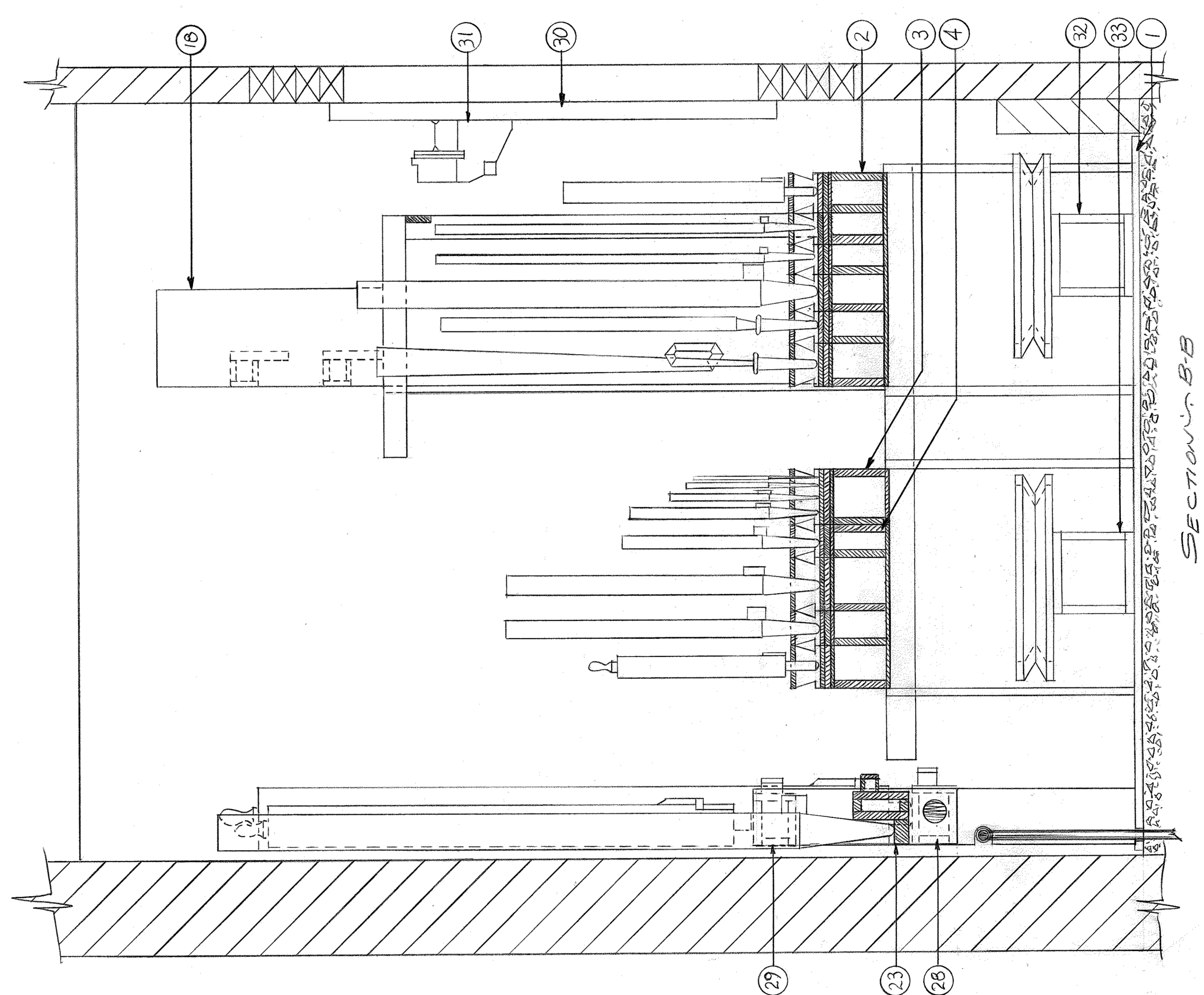


CEILING HEIGHT = 14'-11"



ITEM	DESCRIPTION	PART NO.
34	RESERVOIR WIND TRUNK #3	MANUAL CH
33	RESERVOIR WIND TRUNK #2	MANUAL CH
32	RESERVOIR WIND TRUNK #1	MANUAL CH
31	SWELL SHUTTER ACTION	6 NOTE
30	SWELL SHUTTER FRONT	6 NOTE
29	BOURDON 16	6 NOTE
28	BASS FLUTE	12 NOTE
27	BASS FLUTE	12 NOTE
26	BASS FLUTE	12 NOTE
25	DIAPHRAGM	6 NOTE
24	DIAPHRAGM	6 NOTE
23	TRER DIAPASON	12 NOTE
22	VDO & CEL	24 NOTE
21	TUBA HORN	7 NOTE
20	TUBA HORN	7 NOTE
19	CHARVOGLIOTT	49 NOTE
18	TREMULANT #1	(REB. 60) 24 - 1 - R
17	TREMULANT #1	(REB. 60) 24 - 1 - R
16	TREMULANT #1	(REB. 60) 24 - 1 - R
15	TREMULANT #1	(REB. 60) 24 - 1 - R
14	TREMULANT #3	(REB. 60) 24 - 1 - R
13	TREMULANT #3	(REB. 60) 24 - 1 - R
12	RESERVOIR 20 X 30 - 10" WIND	(OFFSETS) 24 - 1 - R
11	RESERVOIR 20 X 30 - 10" WIND	(OFFSETS) 24 - 1 - R
10	RESERVOIR 20 X 30 - 10" WIND	(OFFSETS) 24 - 1 - R
9	RESERVOIR 20 X 30 - 10" WIND	(OFFSETS) 24 - 1 - R
8	RESERVOIR 20 X 30 - 10" WIND	(OFFSETS) 24 - 1 - R
7	RESERVOIR 20 X 30 - 10" WIND	(OFFSETS) 24 - 1 - R
6	RESERVOIR 20 X 30 - 10" WIND	(OFFSETS) 24 - 1 - R
5	RESERVOIR 20 X 30 - 10" WIND	(OFFSETS) 24 - 1 - R
4	MANUAL CHEST #3	MANUAL
3	MANUAL CHEST #1	MANUAL
2	MANUAL CHEST #1	MANUAL
1	GROUND FRAME	MANUAL

CARLTON SMITH PIPE ORGAN RESTORATIONS  
Indianapolis, Indiana

LAYOUT OF MAIN ORGAN - STYLE SPECIAL  
FOR  
THE HILBERT CIRCLE THEATRE - INDIANAPOLIS, IND.

DESIGNED BY: C. M. Smith  
APPROVED BY: [Signature]

DATE: 1-1-  
DRAWING NO.:  
12-25-07